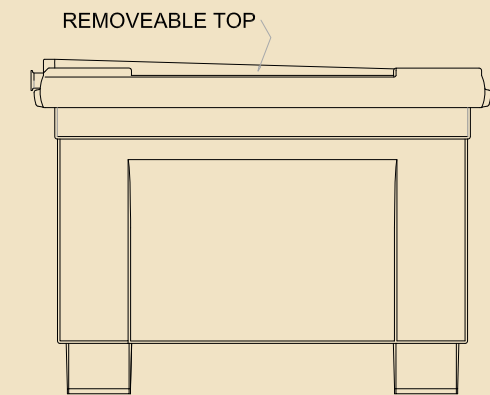
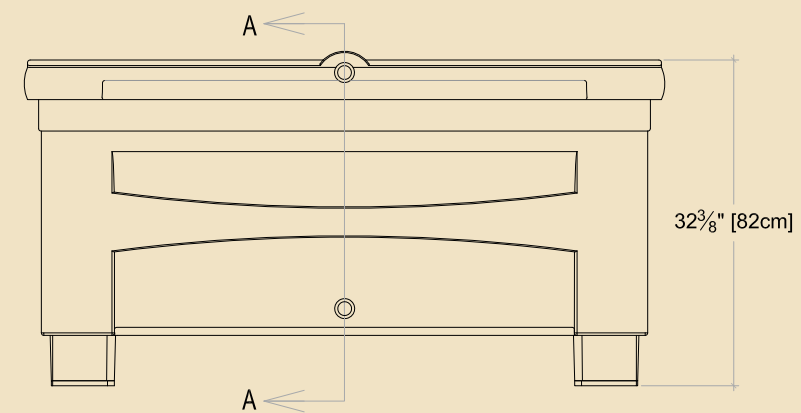
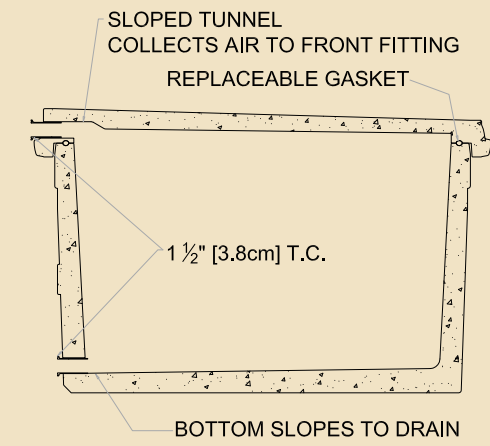
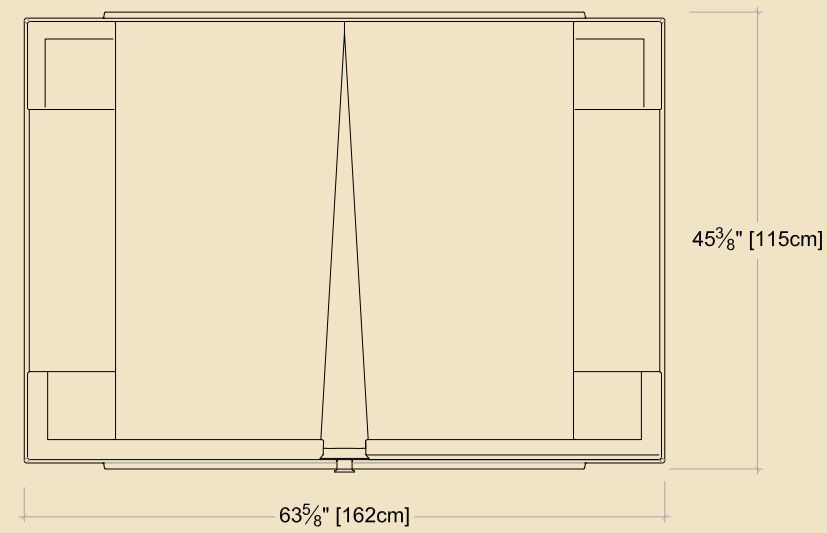


# WINESTACKS

WINESTACKS  
200 GALLONS each / DRY WT 1,760 LBS each



10  
YEAR  
MANUFACTURER'S  
LIMITED WARRANTY

THE ONLY  
CONCRETE WINE TANKS  
GUARANTEED NOT TO CRACK



## STACKABLE WINE TANKS

