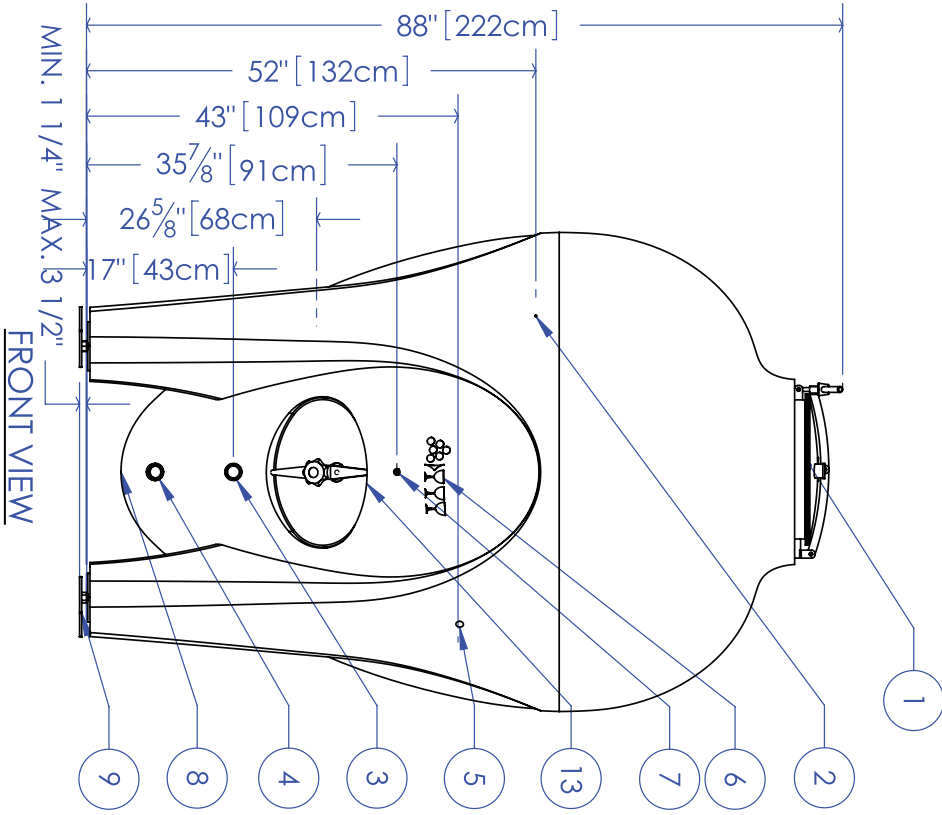




STANDARD ITEMS	
ITEM NO.	DESCRIPTION
1	1 1/2" TOP MANWAY W/ 2" T.C. VENT
2	THREADED INSERT FOR TAG CLIP OR HOOK
3	RACKING FITTING: 1 1/2" T.C.
4	FRONT DRAIN FITTING: 1 1/2" T.C.



OPTIONAL ITEMS	
ITEM NO.	DESCRIPTION
5	RIGHT FRONT THERMOWELL FOR VISUAL READOUT
6	CUSTOM LOGO
7	SAMPLE FITTING: 1/2" F.P.T.
8	BOTTOM DRAIN FITTING: 1 1/2" T.C. (FOR RAISED TANK)
9	ADJUSTABLE HEIGHT FEET, 1 1/4"-3 1/2" RANGE
10	TEMP. CONTROL UPPER COIL GLYCOL FITTINGS: 3/4" F.P.T.
11	TEMP. CONTROL LOWER COIL GLYCOL FITTINGS: 3/4" F.P.T.
12	REAR THERMOWELL FOR DIGITAL PROBE
13	OVAL FRONT ACCESS PORT

