



CONCRETE WINE TANKS
SONOMA CAST STONE
CONCRETEWINETANKS.COM

SuperEgg

1,004 gal / 8,950 ltr

Dry Wt: +/- 10,117 lbs / 4,536 kg



Like the Smaller Egg and the Amphora, you can only get this organic shape from concrete. These shapes are known to promote fermentation by allowing the fluid to circulate naturally, and the dome-like top has the great advantage of forcing the grapes downward to reduce the need for labor-intensive punch-down.

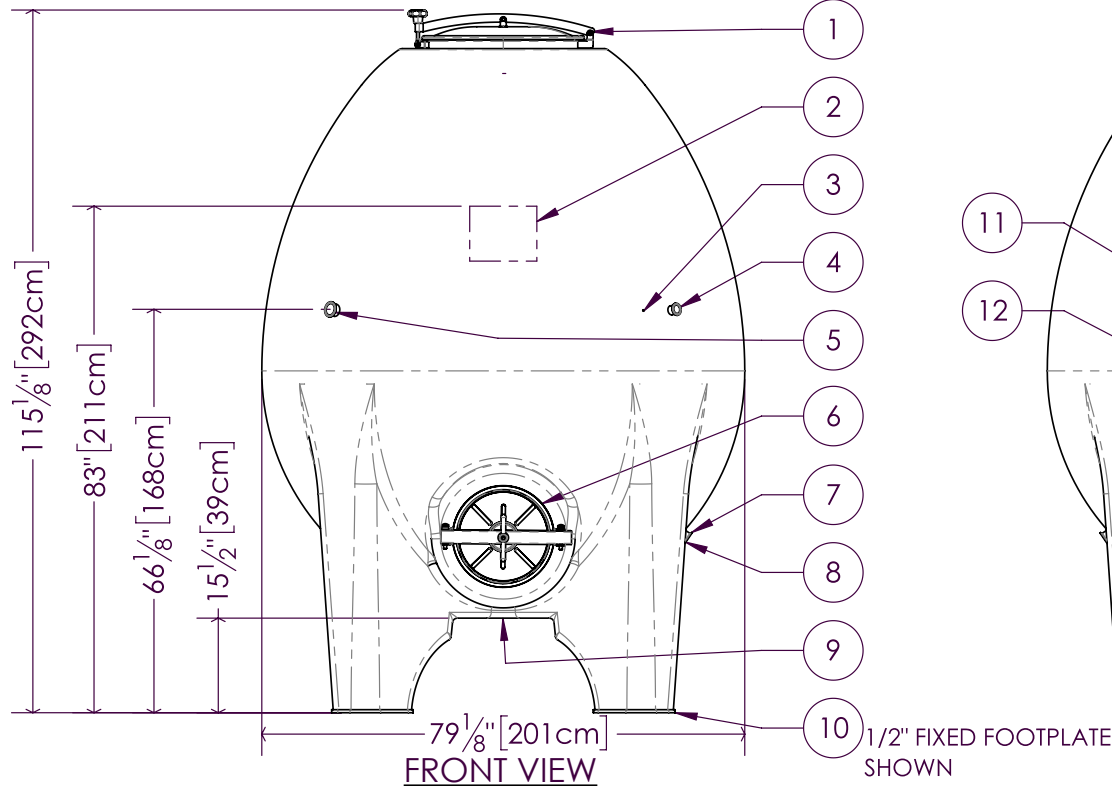




The Tank You Purchase May Not Include All Of These Items.

Some Are Standard, And Some Are Optional.

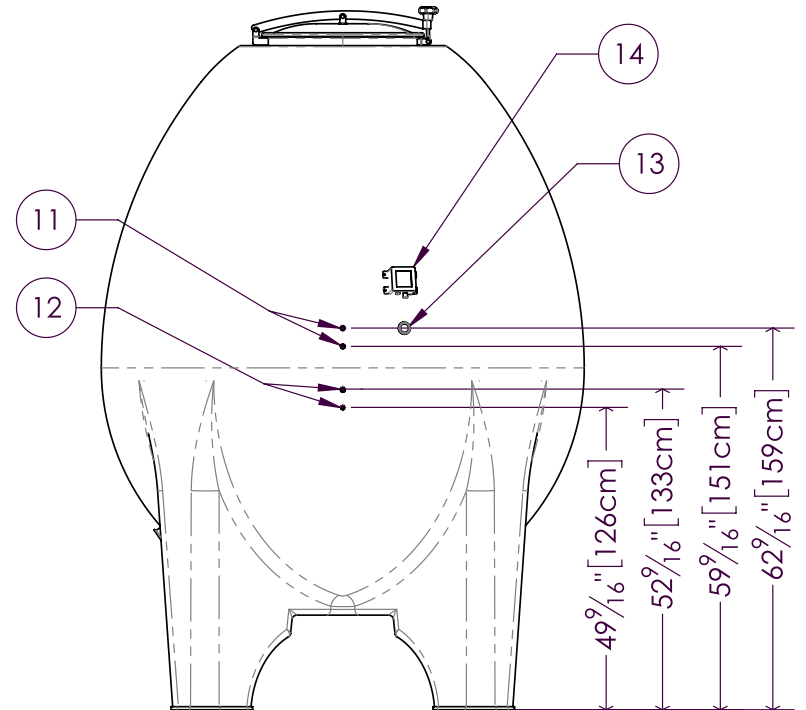
ITEM NO.	DESCRIPTION
1	Ø24.5"/ 620mm TOP MANWAY w/ 2" T.C. VENT
2	CUSTOMER LOGO
3	THREADED INSERT FOR TAG CLIP
4	THERMOWELL PORT: 1 1/2" T.C.
5	SAMPLE/ WASHING PORT: 2" T.C. W/ VALVE
6	Ø16"/ 400mm FRONT POMACE DOOR
7	RACKING PORT: 2" T.C.
8	RACKING ARM (not pictured)
9	DRAIN PORT: 2" T.C.
10	ADJUSTABLE SEISMIC HOLD DOWN LEGS (not pictured)



FRONT VIEW

ITEM NO.	DESCRIPTION
11	TEMP. CONTROL: UPPER COIL GLYCOL FITTINGS: 3/4" F.P.T.
12	TEMP. CONTROL: LOWER COIL GLYCOL FITTINGS: 3/4" F.P.T.
13	REAR THERMOWELL PORT: 1 1/2" T.C.
14	TankNet PL-1- Specify 120VAC or 12VDC

CAPACITY: 1,004 GAL [3800L]
WEIGHT: 8,950 LB [4060 KG]



REAR VIEW





CONCRETE WINE TANKS
SONOMA CAST STONE
CONCRETEWINETANKS.COM

SuperEgg

1,004 gal / 8,950 ltr

Dry Wt: +/- 10,117 lbs / 4,536 kg



476 Gallons

1,004 Gallons

