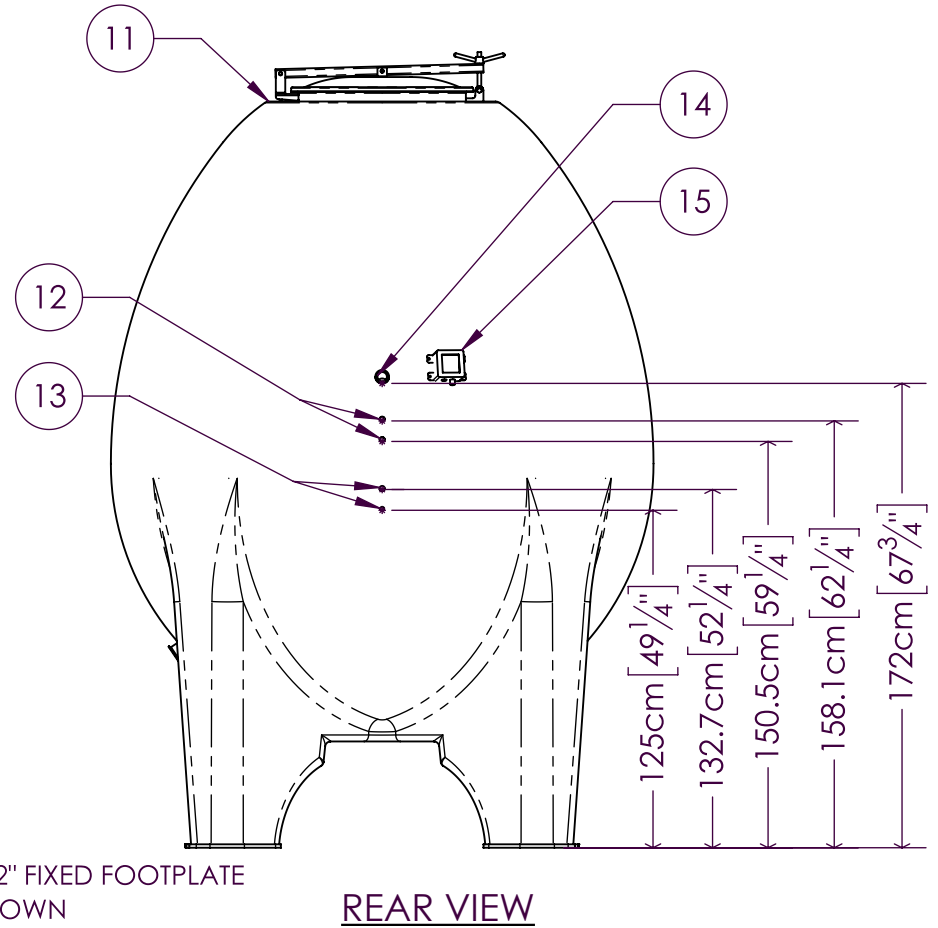
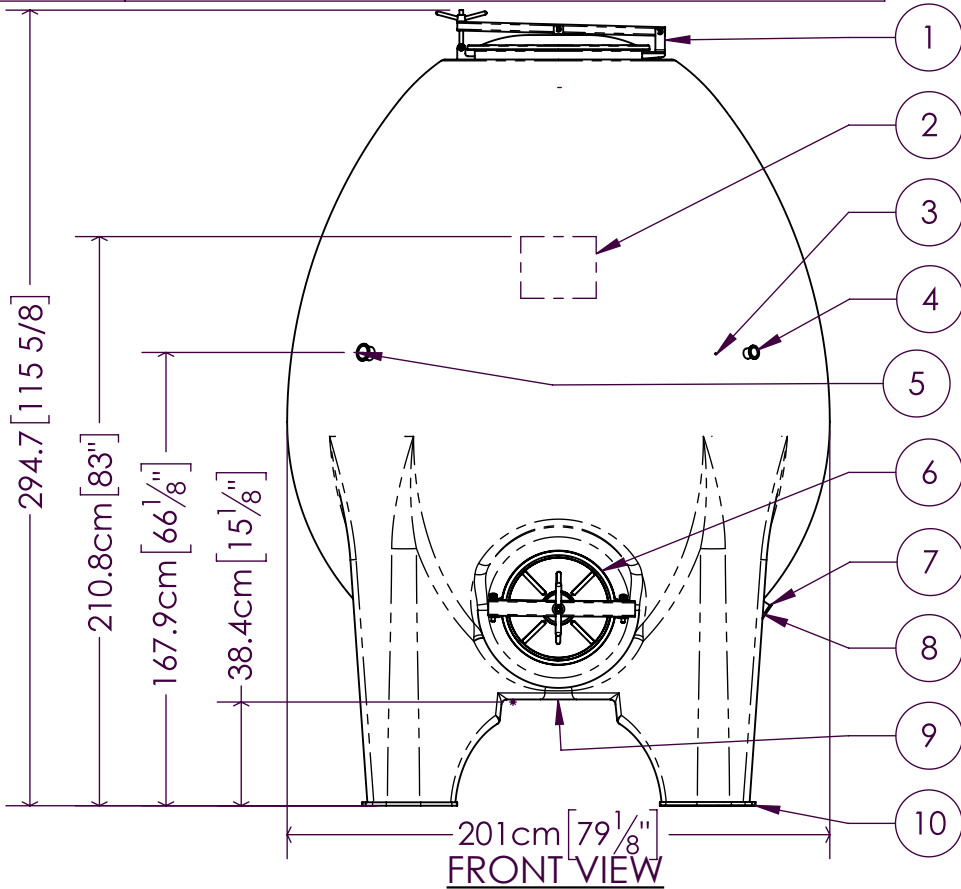


ITEM NO.	DESCRIPTION
1	Ø24.5"/ 620mm TOP MANWAY w/ 2" T.C. VENT
2	CUSTOMER LOGO
3	THREADED INSERT FOR TAG CLIP
4	THERMOWELL PORT: 1 1/2" T.C.
5	SAMPLE/ WASHING PORT: 2" T.C. W/ VALVE
6	Ø16"/ 400mm FRONT POMACE DOOR
7	RACKING PORT: 2" T.C.
8	RACKING ARM (not pictured)
9	DRAIN PORT: 2" T.C.
10	ADJUSTABLE SEISMIC HOLD DOWN LEGS (not pictured)

ITEM NO.	DESCRIPTION
11	TOP LIFTING INSERTS- 3/4" FEMALE THREAD (4)
12	TEMP. CONTROL: UPPER COIL GLYCOL FITTINGS: 3/4" F.P.T.
13	TEMP. CONTROL: LOWER COIL GLYCOL FITTINGS: 3/4" F.P.T.
14	REAR THERMOWELL PORT: 1 1/2" T.C.
15	TankNet PL-1- Specify 120VAC or 12VDC

CAPACITY: 1,004 GAL [3800L]
 WEIGHT: 9,875 LB [4479 KG]



SONOMA CAST STONE
 CONCRETE WINE TANKS

(877) 283-2400 www.concretewinetanks.com

SuperEgg TANK SPECIFICATIONS- Standard and Optional Items
 North America

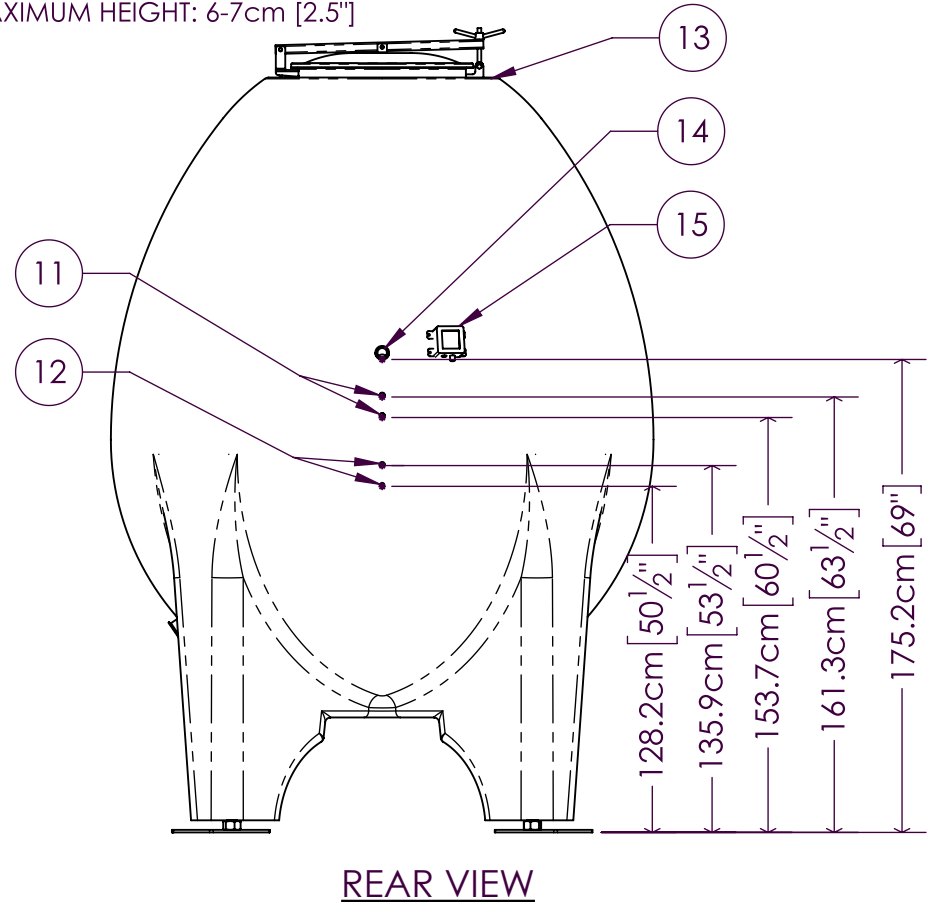
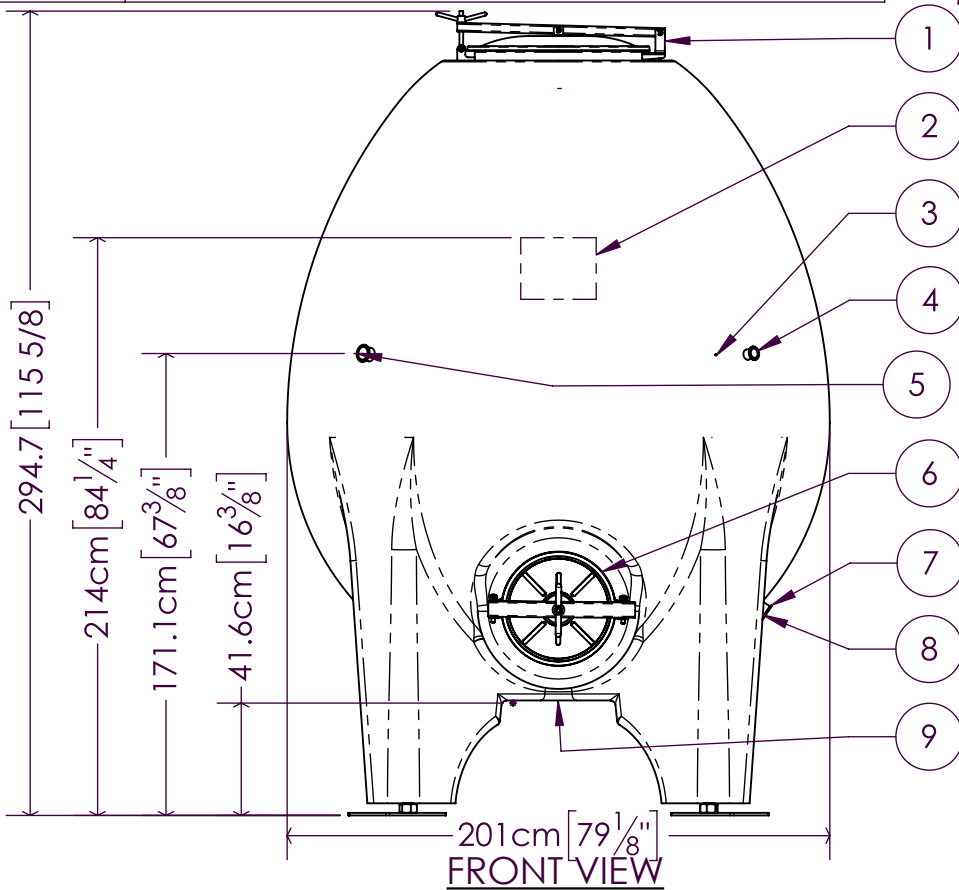
JOB NAME:	ORDER #	DATE:
-----------	---------	-------

ITEM NO.	DESCRIPTION
1	Ø24.5"/ 620mm TOP MANWAY w/ 2" T.C. VENT
2	CUSTOMER LOGO
3	THREADED INSERT FOR TAG CLIP
4	THERMOWELL PORT: 1 1/2" T.C.
5	SAMPLE/ WASHING PORT: 2" T.C. W/ VALVE
6	Ø16"/ 400mm FRONT POMACE DOOR
7	RACKING PORT: 2" T.C.
8	RACKING ARM (not pictured)
9	DRAIN PORT: 2" T.C.
10	ADJUSTABLE SEISMIC HOLD DOWN LEGS

ITEM NO.	DESCRIPTION
11	TEMP. CONTROL: UPPER COIL GLYCOL FITTINGS: 3/4" F.P.T.
12	TEMP. CONTROL: LOWER COIL GLYCOL FITTINGS: 3/4" F.P.T.
13	EMBEDDED LIFTING INSERTS 3/4" FEMALE THREAD (4)
14	REAR THERMOWELL PORT: 1 1/2" T.C.
15	TankNet PL-1- Specify 120VAC or 12VDC

CAPACITY: 1,004 GAL [3800L]
WEIGHT: 9,875 LB [4479 KG]

HEIGHT DIMENSIONS SHOW MINIMUM HEIGHT ADJUSTMENT OF LEGS.
 MAXIMUM HEIGHT: 6-7cm [2.5"]



SONOMA CAST STONE
 CONCRETE WINE TANKS

(877) 283-2400 www.concretewinetanks.com

SuperEgg TANK SPECIFICATIONS- Standard and Optional Items
 North America With Adjustable hold-down legs

JOB NAME:	ORDER #	DATE:
-----------	---------	-------