

(877) 283-2400 www.concretewinetanks.com



SONOMA CAST STONE
CONCRETE WINE TANKS

TEACUP TANK

ORDER# 000

DATE: 5/23/2023

DRAWN BY: CF

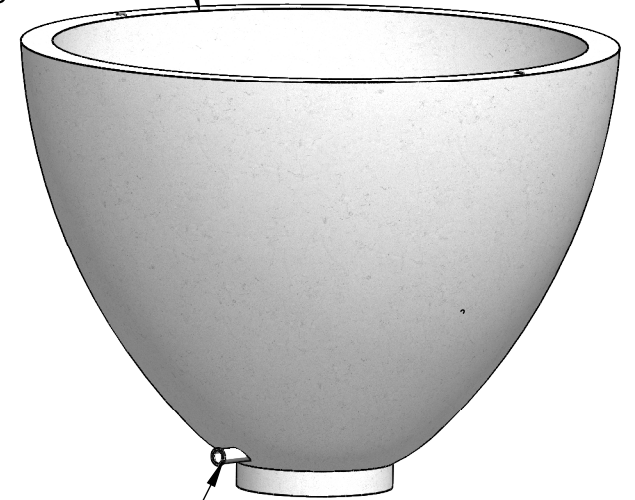
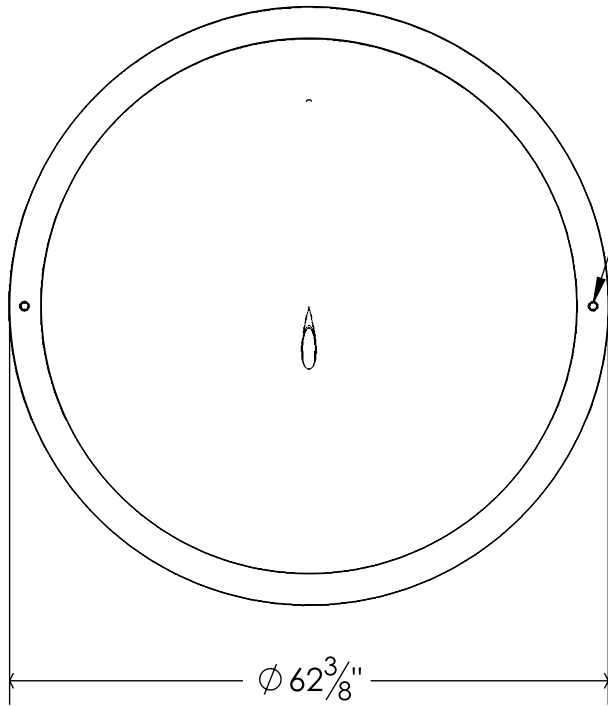
ORDER REVISION # 0

DWG REVISION # 0

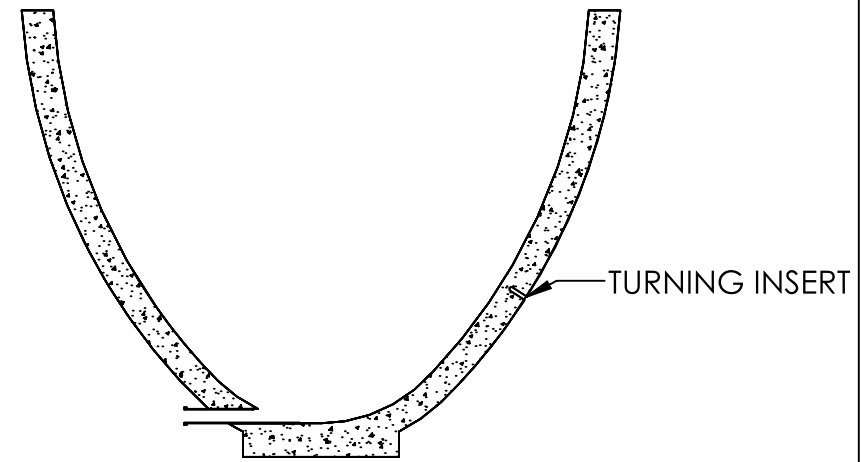
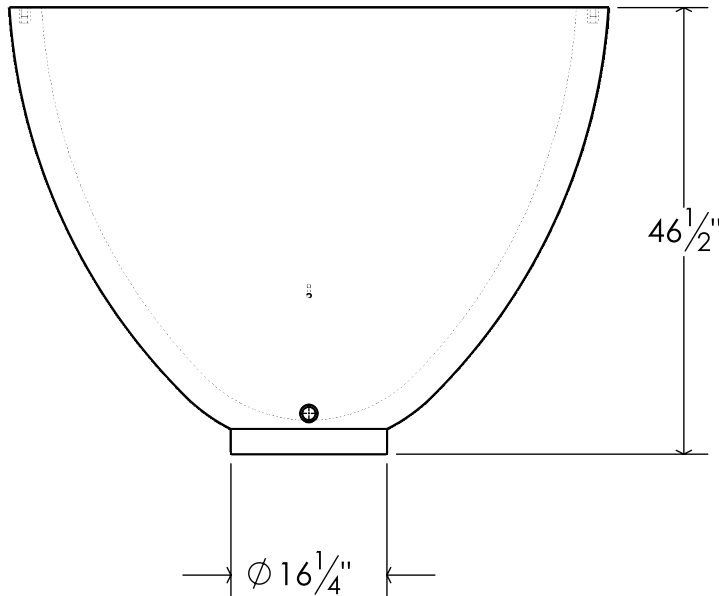
SHEET # 1

WEIGHT: 3,750LB./ 1,701KG

CAPACITY 274 GAL./ 1037L TO TOP



1 1/2" TRICLOVER
-OPTION DIN40 OR- DIN50



SECTION A-A
SCALE 1 : 20